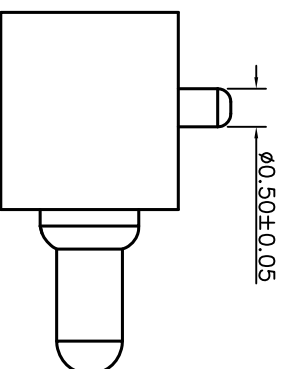
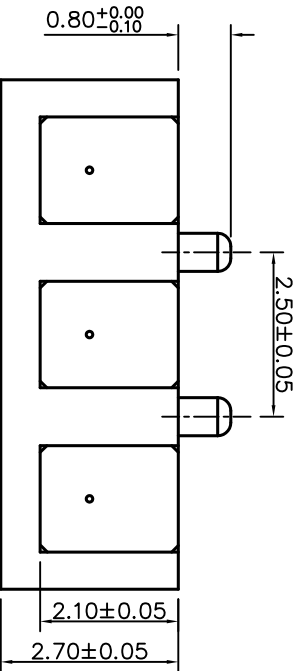
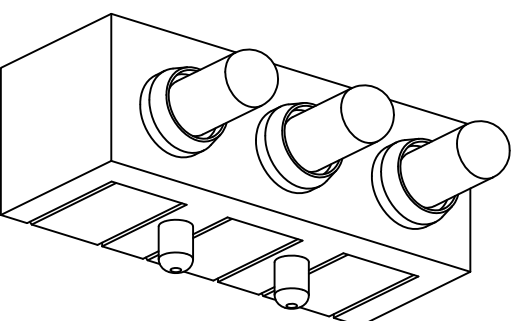


RECOMMENDED PCB LAYOUT



Notes:

- 1. Material:
  - 1.1 Housing: PA46
  - 1.2 Barrel Plunger: Brass C3604 Gold plated
  - 1.3 Spring: SWP-B
- 2. Electrical
  - 2.1 Current rating: 1A 12 V per pin
  - 2.2 Contact Resistance: 50 mohm Max at working height
- 3. Mechanical
  - 3.1 Force: 70+/-20gf
  - 3.2 Full stroke: 1.4mm
  - 3.3 Durability: 10000 cycles Min
- 4. RoHS Compliant

PG-3P-2.5-5.5H-SM-RA	DESIGNED BY:	SCALE:	N/A	UNIT	mm	THE UNMARKED TOLERANCE ARE AS BELOW :
TITLE: PG1.60x2.10x0.9x5.5 (3x2.5PH)	CHECKED BY:	SHEET:	1 of 1	PROJECTION	D.0	
	APPROVED BY:	DATE:	07.30.2011	VER.		LENGTH
						ANGLE
						±0.05mm
						±0.10mm
						±0.20mm
						±0.50°
						±1.00°
						±2.00°
SHENZHEN YIWEI TECHNOLOGY CO.,LTD						